

## ULTIMATE PROTECTION AND CONVENIENCE

Our motorised Roller Shutters are designed to offer robust protection against weather, noise, and intruders. With easy remote operation, they ensure a seamless experience while enhancing your home's energy efficiency. Durable and low-maintenance, the motorised system provides convenience and peace of mind, making them an essential addition for security and insulation



# TECHNICAL INFORMATION

## Operation

Wynstan Roller Shutters are motorised by WYNMOTION motors, offering seamless and convenient control. A single remote can operate multiple Wynstan Roller Shutters, Blinds, Curtains and Awnings simultaneously.

## Energy Saving\*

Our Roller Shutters feature the WincovER energy-saving rating, ensuring efficient temperature regulation. With this technology, you can experience up to 74% cooling efficiency in summer, reducing energy consumption and keeping your home comfortable year-round.

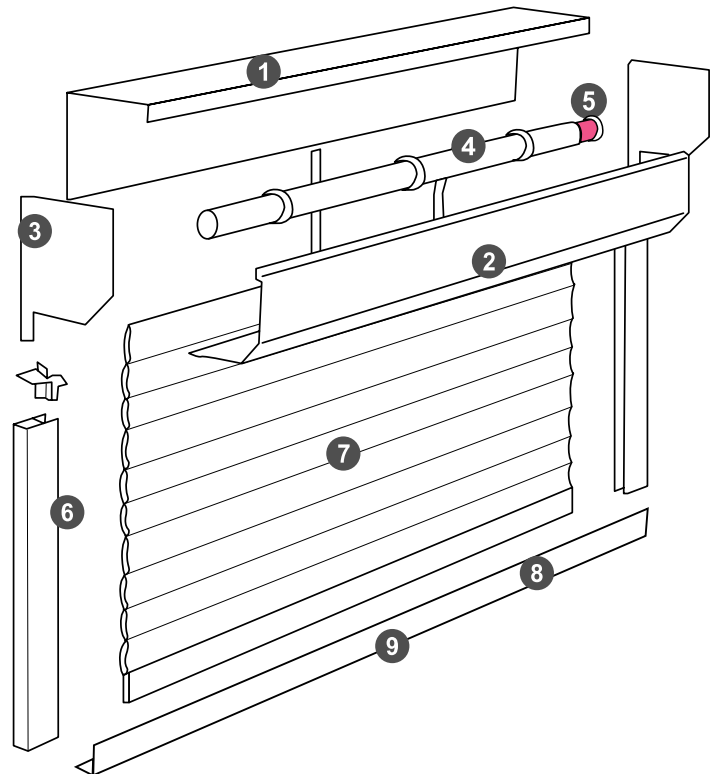
\*Full report please visit [www.wincover.com.au/product-suppliers/ozroll-pty-limited/](http://www.wincover.com.au/product-suppliers/ozroll-pty-limited/)

## Specifications

1. Headbox back
2. Headbox front cover
3. Square Headbox end plate (size below)
4. Headrail
5. Motor
6. Guides - 53mm width
7. Roller Shutters Slat
8. Bottom bar
9. Optional bottom guide

## Bushfire Protection (Fireshield Shutter Only)

The Fire Shade shutters are specially designed for bushfire-prone areas. These Roller Shutters have undergone extensive testing in collaboration with the CSIRO, achieving a 29kw/m<sup>2</sup> rating for the AR400 Series Shutters (Technical Assessment 306) and a BAL 40 rating for AE401 Extruded Shutters. This provides robust protection against radiant heat from bushfires, safeguarding your home in extreme conditions.



Standard Roller Shutter



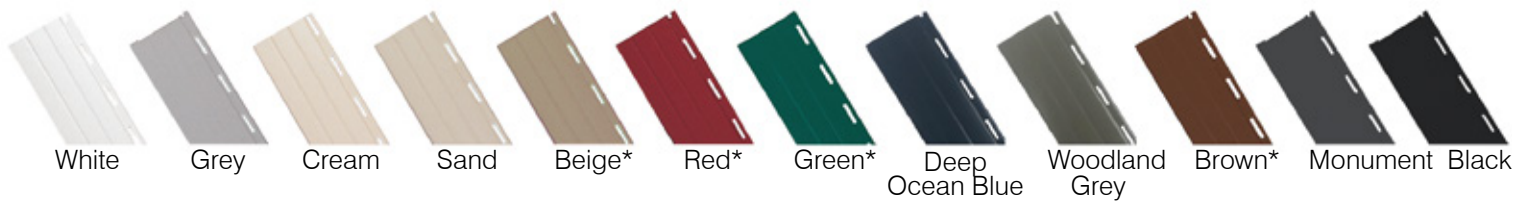
Fireshield

	Standard Roller Shutter	Fireshield Roller Shutter
<b>Max Width</b>	4600mm	5000mm
<b>Min Width</b>	775mm	775mm
<b>Maximum Area</b>	10sqm	12sqm
<b>Weight per m<sup>2</sup></b>	<b>Up to 3600mm Width - 4kg</b> <b>Over 3600mm Width - 6kg</b>	8kg
<b>Gauge of Aluminium (thickness)</b>	0.32mm	1mm
<b>Slat Height</b>	40mm	40mm
<b>Slat Thickness</b>	9mm	9mm
<b>Guide Width</b>	<b>Up to 3600mm Width - 53mm</b> <b>Over 3600mm Width - 70mm</b>	<b>Up to 3600mm Width - 53mm</b> <b>Over 3600mm Width - 70mm</b>
<b>Bottom Bar Height</b>	50mm	50mm
<b>Head Box Size</b>	<b>Up to 1300mm Height</b> 150mm	<b>Up to 1100mm Height</b> 150mm
	<b>Up to 1700mm Height</b> 165mm	<b>Up to 1600mm Height</b> 165mm
	<b>Up to 2135mm Height</b> 180mm	<b>Up to 2000mm Height</b> 180mm
	<b>Up to 3000mm Height</b> 205mm	<b>Up to 2800mm Height</b> 205mm

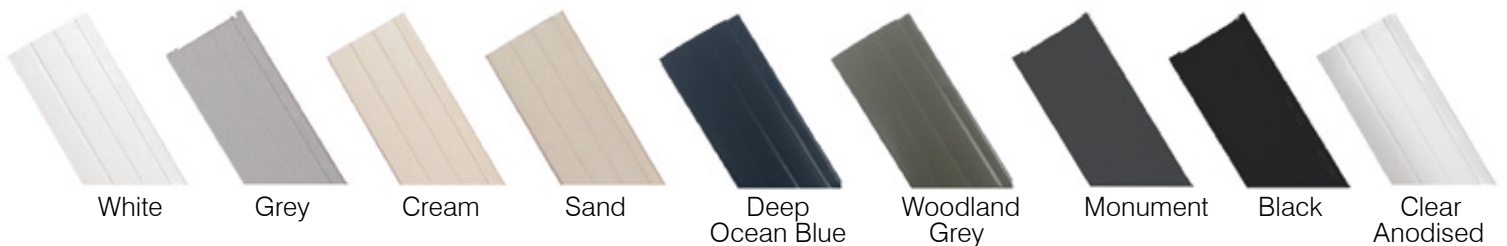
# TECHNICAL INFORMATION

Square headbox	Headbox Size	Available Colours
	150mm	White, Cream, Sand, Monument, Black
	165mm	White, Cream, Sand, Monument, Black, Grey, Deep Ocean Blue, Woodland Grey
	180mm	White, Cream, Sand, Monument, Black, Grey, Deep Ocean Blue, Woodland Grey
	205mm	White, Cream, Sand, Monument, Black, Woodland Grey
	230mm	White, Cream, Sand, Monument, Black, Grey, Deep Ocean Blue, Woodland Grey

## Standard Roller Shutter Colours with perforated holes



## Firesheild Colours



\*Beige, Green, Brown and Red are unavailable for the headbox, side guides, and bottom bar.

## BENEFITS



Perforated light filtering

### Superior Protection

Strong resistance against weather and break-ins ensures home security, while Firesheild provide BAL 40 protection from bushfire heat.

### Energy-Efficient

Roller Shutters reduce heat and energy use with superior insulation. They have a certificated U-Value of 3.51 and Solar Heat Gain of 0.045.

### Noise Reduction

Minimises external noise for a quieter environment.

### Satisfaction Guaranteed

Our Roller Shutters comes with a 3 Year standard Warranty.

Book your FREE in-home consultation today! 1300-667-679